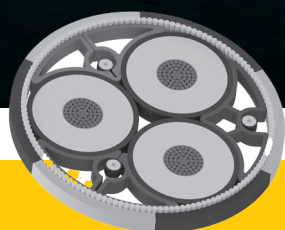




# Tailored plastic profiles for the global energy and offshore markets

Advanced materials and designs for optimised functionality



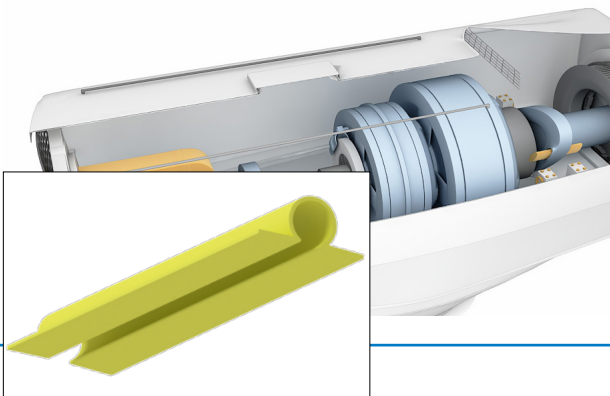
# ADVANCED PLASTICS TECHNOLOGY TO OPTIMISE YOUR SOLUTION

PRIMO provides high quality custom plastic profiles to the onshore and offshore industries. We design and manufacture extruded profiles for all types of applications for market leading companies worldwide. Our range of solutions includes inlet profiles, cable holders, blade roots, subsea power cables, umbilicals, rods and DEH cables. PRIMO can also help you find new materials, such as recycled plastics, UL approved materials, UV protected materials and the like.

## INLET PROFILES

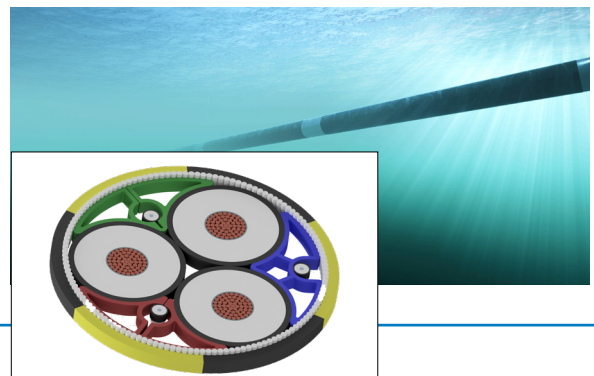
Primo's inlet profiles for wind turbines are designed to the exact requirements of the specific solution.

We are with you from the initial design through to commissioning. We also design and manufacture solutions such as cable holders, blade roots and hub connection covers for wind turbines.



## SHAPED FILLERS, OFFSHORE

Primo supplies and installs shaped fillers for both export and array cables to AC. By using Primo's shape filler concept, it is possible to achieve a more precise shape of the submarine cable in terms of tolerances and roundness. This provides greater design freedom with high functionality of the submarine cables. It also reduces the number of elements in the cross-section.



## POLYMER RODS, OFFSHORE

Primo's polymer rods for armoring can replace traditional steel rods. By using Primo's polymer rods you can reduce the weight but still have the required strength in the armour. We have different fibres depending on the requirement for strength in the armour. Material selection is based on the application, temperature resistance, friction and the need for chemical adhesion.

	GLASS FIBER (GF)	POLYESTER (PET)	LIQUID CRYSTAL POLYMER (LCP)	CARBON FIBER (CB)	PARA ARAMID (PAR)
PP	X	X	X	X	
HDPE	X	X	X		
TPE	X	X	X		X
XLPE	X	X	X		
PVC (Flexible)	X	X	X	X	X

## PLASTICS FOR A SUSTAINABLE FUTURE

Sustainability is the core of Primo's operations and is integrated into all our processes. Our vision is a world without plastic pollution. We aim high and take action wherever we can. For example, we invest in machines to reuse used plastic so that it can be recycled into circular business models. We ensure that no microplastic particles leave our factories as part of Marine Litter Solutions.

### Our commitments to sustainability:

By 2025

**50%**

of our quotes will include specific options for CO<sub>2</sub> reductions by 2025



Optimise performance. Save resources.

## PROFILES OF TOMORROW

## Working with Primo, you will get a:

### ONE STOP SHOP

Primo designs and manufactures tailored polymer profile solutions for the energy and off-shore sectors. Our in-house tooling competence center guarantees optimal performance of the tools and the manufacturing process. We offer inline machining, finishing as well as packaging solutions to save resources in the assembly process.

### GLOBAL BUSINESS PARTNER

Primo is a reliable business partner with decades of experience working together with leading enterprises in the industry. Primo is a Danish family-owned company, consisting of production units in Europe and Asia ready to serve you. With our well-spread production capacity and raw material sourcing at group level we offer security in your supply chain.

### MATERIAL & PROCESS SPECIALIST

Primo uses high-quality raw material and grades dedicated for the energy & offshore industry. Always fulfilling the industry's standards and special requirements. Our production lines and processes are optimised for highest output and quality.

### DESIGN AND INNOVATION EXPERT

Through our material and extrusion technology know-how we support you in the development process. We have dedicated lines and specialists testing new designs, materials and production processes in our state-of-the-art Technology & Innovation Centre. Our experts are at your full disposal - improving your projects and securing that the quality level is met and producibility of the products are optimised.

### RESPONSIBLE SUPPLIER

We are committed to help customers reduce their Co2 emissions. We will do so by optimising our production process to use less material and resources and by investing in sustainable solutions. Together with customers and suppliers we will drive innovation in sustainable materials and designs and increase the uptake of recycled and renewable materials.



# SUBSIDIARIES



## CHINA

PROFILEX Plastic Technology  
(Zhuhai FTZ) Co. Ltd.  
No. 41, Hongwan Free Trade Zone  
Zhuhai, Guangdong, CHN 519030  
sales@profilex.cn  
www.profilex.cn

## DENMARK

PRIMO DANMARK A/S  
Jernbanegade 11  
DK-6862 Tistrup  
primo@primo.dk

## FINLAND

OY PRIMO FINLAND AB  
Tarhaajantie 2  
FI-65380 Vaasa  
primo.finland@primo.fi

## GERMANY

PRIMO PROFILE GmbH  
Otto-Porath-Platz 1  
D-15831 Blankenfelde-Mahlow  
info@primo-profile.de  
Berlin/Hamburg

## NETHERLANDS

Primo Netherlands B.V.  
Enitor Primo  
Beatrixstraat 7  
NL-9285 TV Buitenpost  
infoenitor@primo.com

## NORWAY

PRIMO NORGE AS  
P.O.Box 2096  
N-3255 Larvik  
post@primo.no

## POLAND

PRIMO PROFILE sp.zo.o.  
Ul. Chemiczna 2  
PL 44-240 Żory  
primoprofile@primo.com

## SWEDEN

PRIMO SVERIGE AB  
Box 4073  
SE-514 12 Limmared  
info@primo.se  
Dalstorp/Limmared

## MOTHER COMPANY

### INTER PRIMO A/S

Højbro Plads 6  
DK-1200 København K  
Denmark

www.primo.com

**PRIMO** 